

Product Specification

850Gb/s 2xDR4+ OSFP 1310nm 2km
Optical Transceiver

P/N: 800G-OSFP-2DR4+



Features

- Hot Pluggable OSFP form factor
- Operating data rate 850Gbps
- Single +3.3V power supply
- Dual MPO-12 connector
- Max power dissipation <16.5W
- PIN receivers
- Built-in digital diagnostic function
- Commercial temperature range 0°C to 70°C

Compliance

- Compliant with OSFP MSA
- Compliant with CMIS 5.1
- RoHS

Applications

- 800G Ethernet
- Cloud Services
- Data Center Interconnect
- Data center Enterprise networking
- Switches with OSFP ports

Description

The 800G-OSFP-2DR4+ is a cutting-edge optical transceiver designed to deliver 800G Ethernet connectivity over single-mode fiber (SMF) with a reach of up to 2 kilometers. Utilizing dual MTP/MPO-12 connectors, it ensures efficient and reliable data transmission for high-density, high-speed applications. Ideal for next-generation data centers and enterprise networks, this transceiver supports flexible configurations, including 2x 400G XDR4 and 8x 100G FR, enabling seamless scalability for evolving infrastructure demands.

Fully compliant with IEEE 802.3ck, IEEE 802.3cu-2021, OSFP MSA, and CMIS Rev 5.0 standards, the 800G-OSFP-2DR4+ guarantees interoperability and future-proof performance. Its integrated digital diagnostics monitoring (DDM) provides real-time access to critical parameters such as temperature, voltage, and optical power, ensuring proactive network management and optimized operational efficiency.

Engineered for 800G Ethernet and advanced data center environments, this transceiver excels in high-bandwidth scenarios like AI/ML workloads, cloud computing, and distributed storage systems. Its robust design and extended reach make it a reliable choice for enterprises prioritizing speed, compliance, and scalability in mission-critical networks.

Product performance Specifications

1、Basic Product Characteristics

Parameter	Symbol	Min	Typ.	Max	Unit
Absolute Maximum Ratings					
Storage Temperature	T _s	-40	-	+85	°C
Supply Voltage	V _{CC}	-0.5	-	3.6	V
Relative Humidity	RH	5	-	95	%
Control Input Voltage	V _I	-0.3	-	V _{CC} +0.5	V
Control Input Voltage High	V _{IH}	V _{CC} *0.7		V _{CC} +0.3	V
Control Input Voltage Low	V _{IL}	-0.3		V _{CC} *0.3	V
Maximum Power Dissipation, Low Power Mode	PDLP			2	W
Control Output Current	I _O	-20		20	mA
Operational Specifications					
Operating Case Temperature	T _C	0	-	70	°C
Power Supply Voltage	V _{CC}	3.135	3.3	3.465	V
Instantaneous Peak Current at Hot Plug	I _{CC_IP}			TBD	mA
Sustained Peak Current at Hot Plug					

Power Consumption	P_{DISS}	-	-	16.5	W
Data Rate	DR	-	850	-	Gbps
Pre-FEC Bit Error Ratio			2.4×10^{-4}		
Transmission Distance	-	2	-	2000	m
Two Wire Serial Interface Clock Rate				400	kHz
Power Supply Noise 1 kHz -1 MHz (p-p)				66	mVpp

2、Product Optical and Electrical Characteristics

Parameter	Symbol	Min	Typ.	Max	Unit	Note
Transceiver						
Modulation format		PAM4				
Center Wavelength	λ_c	1304.5	1311	1317.5	nm	
Side Mode Suppression Ratio	SMSR	30			dB	
Average Launch power, each lane	P_{avg}	-3.1		4.0	dBm	1
Optical Power OMA, each Lane max	P_{OMA}	3.5			dBm	
Outer Optical Modulation Amplitude (OMA _{outer}), each Lane	OMA	-0.1 -1.5+TDECQ		4.2	dBm	
Transmitter and dispersion eye closure (TDECQ), each lane	TDECQ			3.4	dB	
Transmitter Eye Closure for PAM4 (TECQ), each Lane	TECQ			3.4	dB	
TDECQ-TECQ				2.5	dB	
Over/Under-shoot				22	%	
Transmitter Power Excursion				2	dBm	
Average Launch Power of OFF Transmitter, each Lane	T_{OFF}			-15	dBm	
Extinction Ratio	ER	3.5			dB	
Transmitter Transition Time	T_r			17	ps	
RIN _{15.6OMA}	R_{IN}			-136	dB/Hz	
Optical Return Loss Tolerance	ORL			17.1	dB	
Transmitter Reflectance	TR			-26	dB	2
Differential Pk-pk Input Voltage Tolerance(TP1a)		750			mV	
AC Common-mode RMS Voltage Tolerance(TP1a)		25			mV	
Differential-mode to Common-mode Return Loss	RL _{cd}	802.3ck 120G-2			dB	
Effective Return Loss	ERL	8.5			dB	

Differential Termination Mismatch				10	%	
Single-ended Voltage Tolerance Range		-0.4		3.3	V	
DC Common-mode Voltage Tolerance		-0.35		2.85	V	
Receiver						
Modulation format		PAM4				
Center Wavelength	λ_c	1304.5	1311	1317.5	nm	
Damage threshold		5			dBm	
Average receive power, each lane		-7.1		4	dBm	
Receive power, each lane (OMA _{outer})				4.2	dBm	
Receiver reflectance	RR			-26	dB	
Receiver Sensitivity (OMA _{outer}) for TECQ<1.4 dB for 1.4dB<=TECQ<=3.4dB		Max(-4.5, -5.3+TECQ)			dBm	3
Stressed receiver sensitivity, each lane	SRS			-2.5	dBm	4
AC Common-mode Output Voltage (RMS)				25	mVpp	
Differential Peak-to-peak Output Voltage	Short Mode			600	mV	
	Long Mode			845	mV	
Eye Height	EH	15			mV	
Vertical Eye Closure	VEC			12	dB	
Common-mode to differential-mode return loss		IEEE802.3ck Equation (120G-1)				
Effective Return Loss	ERL	8.5			dB	
Differential Termination Mismatch				10	%	
Transition Time		8.5			ps	

Note1: Average launch power, each lane (min) is informative and not the principal indicator of signal strength

Note2: Transmitter reflectance is defined looking into the transmitter

Note3: Receiver sensitivity (OMA_{outer}), each lane (max) is informative and is defined for a transmitter with a value of SECQ up to 3.4 dB

Note4: Measured with conformance test signal at TP3 for the BER = 2.4×10^{-4}

Recommended Host Board Power Supply Circuit

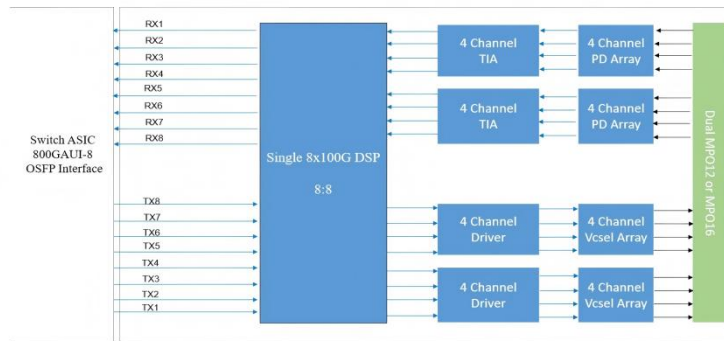


Figure 1: Module Block Diagram

Recommended Interface Circuit

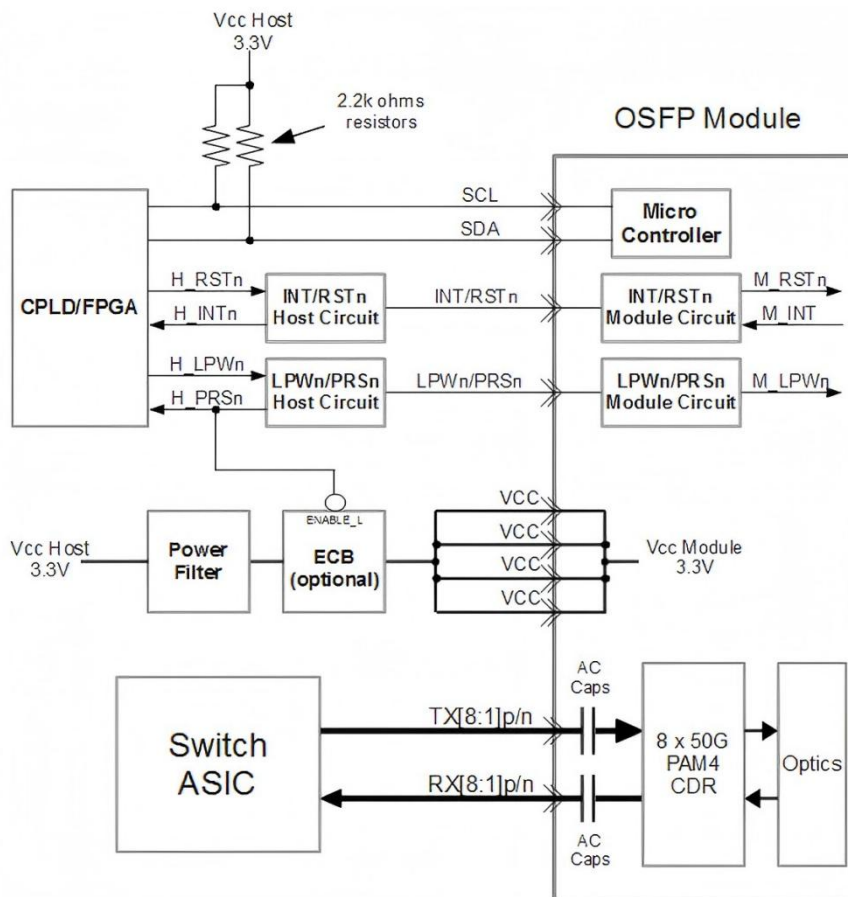


Figure 2: Recommended Interface Circuit

Optical Interface

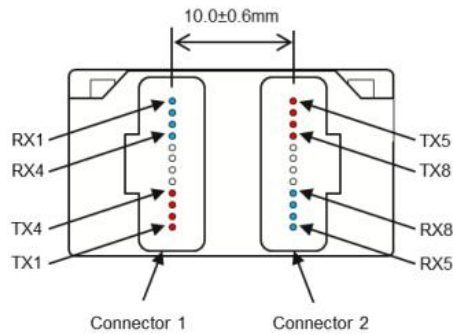


Figure3:Optical Lane Sequence

Pin-out Definition

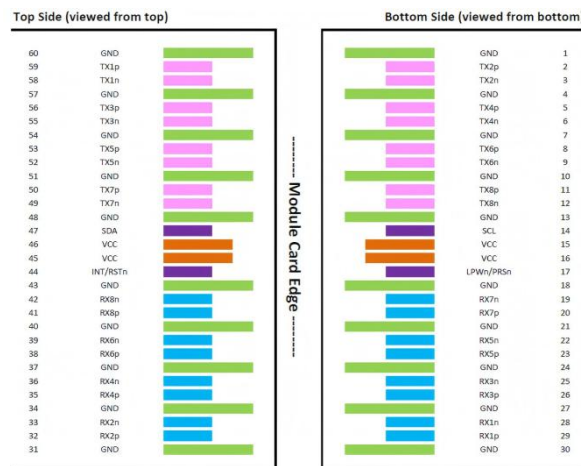


Figure4:Pin view

Pin Function Definitions

Pin	Logic	Symbol	Description	Note
1		GND	Ground	
2	CML-I	TX2p	Transmitter Data Non-Inverted	
3	CML-I	TX2n	Transmitter Data Inverted	
4		GND	Ground	
5	CML-I	TX4p	Transmitter Data Non-Inverted	
6	CML-I	TX4n	Transmitter Data Inverted	
7		GND	Ground	
8	CML-I	TX6p	Transmitter Data Non-Inverted	

9	CML-I	TX6n	Transmitter Data Inverted	
10		GND	Ground	
11	CML-I	TX8p	Transmitter Data Non-Inverted	
12	CML-I	TX8n	Transmitter Data Inverted	
13		GND	Ground	
14	LVC MOS-I/O	SCL	2-wire Serial interface clock	1
15		VCC	+3.3V Power	
16		VCC	+3.3V Power	
17	Multi-Level	LPWn/PRSn	Low-Power Mode / Module Present	2
18		GND	Ground	
19	CML-O	RX7n	Receiver Data Inverted	
20	CML-O	RX7p	Receiver Data Non-Inverted	
21		GND	Ground	
22	CML-O	RX5n	Receiver Data Inverted	
23	CML-O	RX5p	Receiver Data Non-Inverted	
24		GND	Ground	
25	CML-O	RX3n	Receiver Data Inverted	
26	CML-O	RX3p	Receiver Data Non-Inverted	
27		GND	Ground	
28	CML-O	RX1n	Receiver Data Inverted	
29	CML-O	RX1p	Receiver Data Non-Inverted	
30		GND	Ground	
31		GND	Ground	
32	CML-O	RX2p	Receiver Data Non-Inverted	
33	CML-O	RX2n	Receiver Data Inverted	
34		GND	Ground	
35	CML-O	RX4p	Receiver Data Non-Inverted	
36	CML-O	RX4n	Receiver Data Inverted	
37		GND	Ground	
38	CML-O	RX6p	Receiver Data Non-Inverted	
39	CML-O	RX6n	Receiver Data Inverted	
40		GND	Ground	
41	CML-O	RX8p	Receiver Data Non-Inverted	
42	CML-O	RX8n	Receiver Data Inverted	
43		GND	Ground	
44	Multi-Level	INT/RSTn	Module Interrupt / Module Reset	2
45		VCC	+3.3V Power	
46		VCC	+3.3V Power	

47	LVC MOS-I/O	SDA	2-wire Serial interface data	1
48		GND	Ground	
49	CML-I	TX7n	Transmitter Data Inverted	
50	CML-I	TX7p	Transmitter Data Non-Inverted	
51		GND	Ground	
52	CML-I	TX5n	Transmitter Data Inverted	
53	CML-I	TX5p	Transmitter Data Non-Inverted	
54		GND	Ground	
55	CML-I	TX3n	Transmitter Data Inverted	
56	CML-I	TX3p	Transmitter Data Non-Inverted	
57		GND	Ground	
58	CML-I	TX1n	Transmitter Data Inverted	
59	CML-I	TX1p	Transmitter Data Non-Inverted	
60		GND	Ground	

Note1: Open-Drain with pull up resistor on Host.

Note2: See pin description for required circuit.

Monitoring Specification

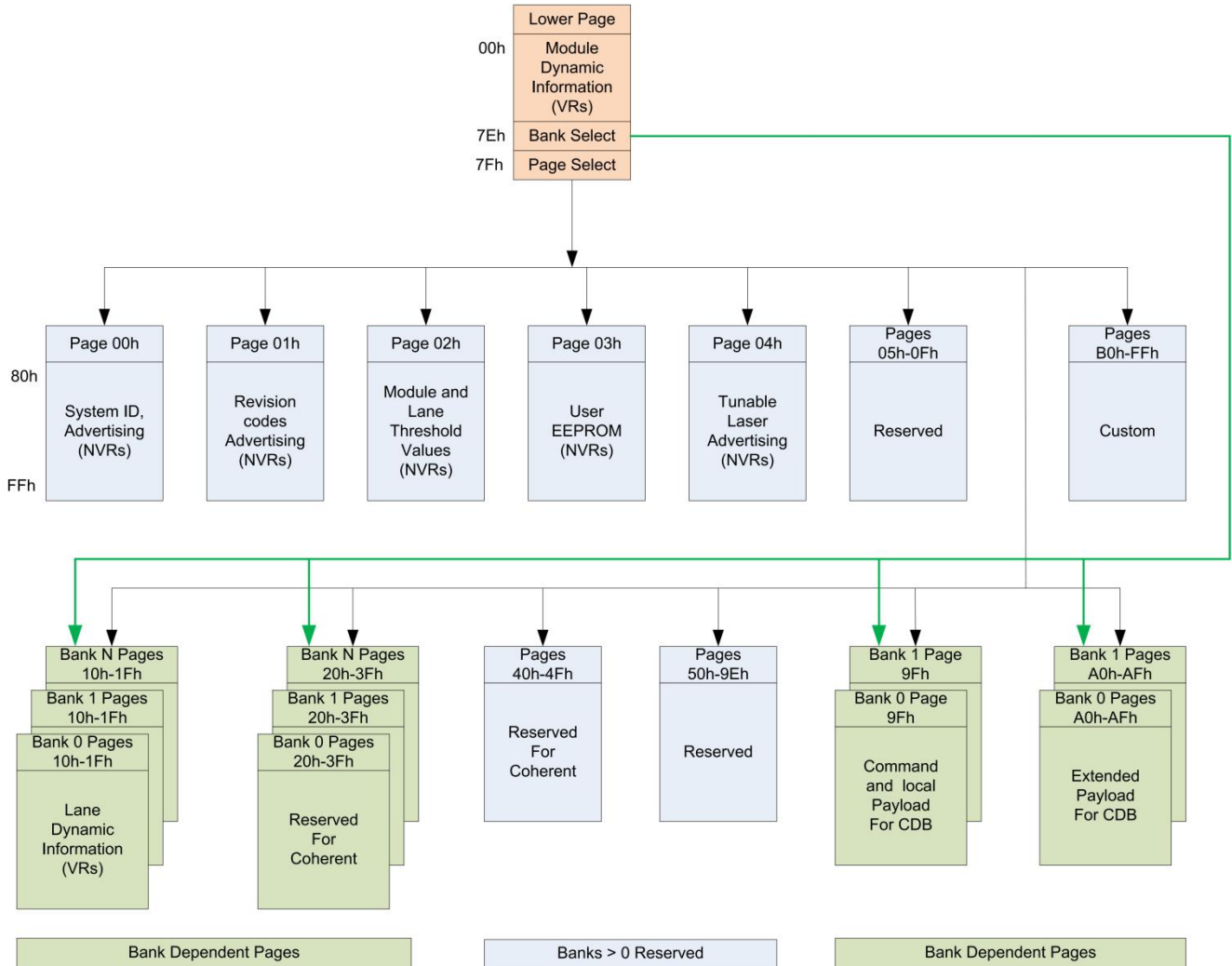


Figure5:Memory map

Memory map Table

Byte	Unit	Name	Description
Lower Page 00h			
0	1	Identifier	Identifier - Type of Serial Module - See SFF-8024.
1	1	Revision Compliance	Identifier – CMIS revision; the upper nibble is the whole number part and the lower nibble is the decimal part. Example: 01h indicates version 0.1, 21h indicates version 2.1.
2-3	2	ID and Status Area	Flat mem indication, CLEI present indicator, Maximum TWI speed,

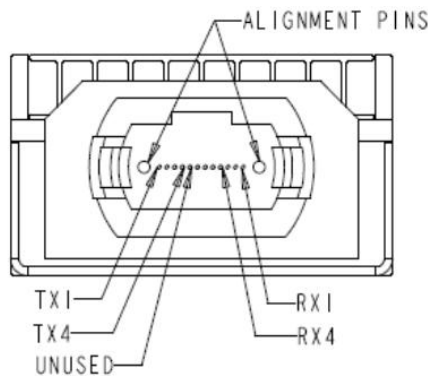
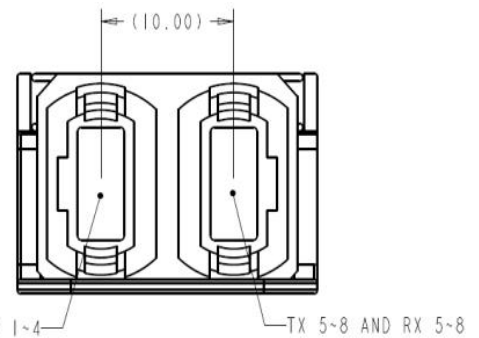
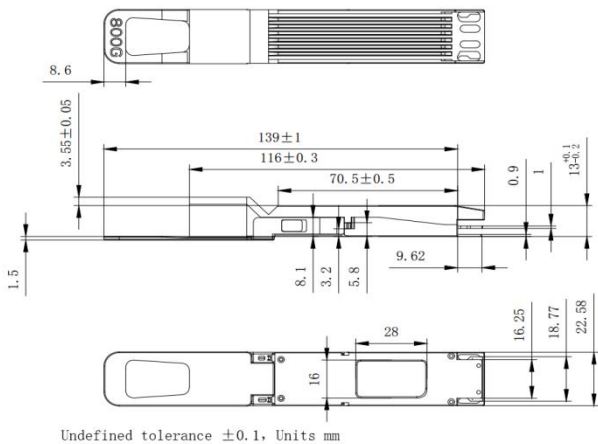
			Current state of Module, Current state of the Interrupt signal.
4-7	4	Lane Flag Summary	Flag summary of all lane flags on pages 10h-1Fh.
8-13	6	Module-Level Flags	All flags that are not lane or data path specific.
14-25	12	Module-Level Monitors	Monitors that are not lane or data path specific.
26-30	5	Module Global Controls	Controls applicable to the module as a whole
31-36	6	Module-Level Flag Masks	Masking bits for the Module-Level flags
37-38	2	CDB Status Area	Status of most recent CDB command
39-40	2	Module Firmware Version	Module Firmware Version.
41-63	23	Reserved Area	Reserved for future standardization
64-82	19	Custom Area	Vendor or module type specific use
83-84	2	Inactive Firmware Version	Version Number of Inactive Firmware. Values of 00h indicates module supports only a single image.
85-117	33	Application Advertising	Combinations of host and media interfaces that are supported by module data path(s)
118-125	8	Password Entry and Change	Password Entry and Change
126	1	Bank Select Byte	Bank address of currently visible Page
127	1	Page Select Byte	Page address of currently visible Page
Upper Page 00h			
128	1	Identifier	Identifier - Type of Serial Module - See SFF-8024.
129-144	16	Vendor name	Vendor name (ASCII)
145-147	2	Vendor OUI	Vendor IEEE company ID
148-163	16	Vendor PN	Part number provided by vendor (ASCII)
164-165	8	Vendor rev	Revision level for part number provided by vendor (ASCII)
166-181	10	Vendor SN	Vendor Serial Number (ASCII)
182-183	2	Date code year	ASCII code, two low order digits of year (00=2000)
184-185	2	Date code month	ASCII code digits of month (01=Jan through 12=Dec)
186-187	2	Date code day of month	ASCII code day of month (01-31)
188-189	2	Lot code	ASCII code, custom lot code, may be blank
190-199	10	CLEI code	Common Language Equipment Identification code
200-201	2	Module power characteristics	Module power characteristics
202	1	Cable assembly length	Cable assembly length
203	1	Media Connector Type	Media Connector Type
204	1	5 GHz attenuation	Passive copper cable attenuation at 5 GHz in 1 dB increments
205	1	7 GHz attenuation	Passive copper cable attenuation at 7 GHz in 1 dB increments
206	1	12.9 GHz attenuation	Passive copper cable attenuation at 12.9 GHz in 1 dB increments
207	1	25.8 GHz attenuation	Passive copper cable attenuation at 25.8 GHz in 1 dB increments
208-209	2	Reserved	Reserved
210-211	2	Cable Assembly Lane Information	Cable Assembly Lane Information

212	1	Media Interface Technology	Media Interface Technology
213-220	8	Reserved	Reserved
221	1	Custom	Custom
222	1	Checksum	Includes bytes 128-221
223-255	33	Custom Info NV	Custom Info NV
Page 01h (Optional)			
128	1	Inactive Module firmware major revision	Numeric representation of inactive module firmware major revision
129	1	Inactive Module firmware minor revision	Inactive Module firmware minor revision
130	1	Module hardware major revision	Module hardware major revision
131	1	Module hardware minor revision	Module hardware minor revision
132	1	Length (SMF)	Bits 7-6 Length multiplier (SMF), Bits 5-0 Base Length (SMF)
133	1	Length (OM5)	Link length supported for OM5 fiber, units of 2 m (2 to 510 m)
134	1	Length (OM4)	Link length supported for OM4 fiber, units of 2 m (2 to 510 m)
135	1	Length (OM3)	Link length supported for EBW 50/125 μ m fiber (OM3), units of 2m (2 to 510 m)
136	1	Length (OM2)	Link length supported for 50/125 μ m fiber (OM2), units of 1m (1 to 255 m)
137	1	Reserved	Reserved
138-139	2	Nominal Wavelength	Nominal Wavelength
140-141	2	Wavelength Tolerance	Wavelength Tolerance
142-144	3	Implemented Memory Pages and Durations advertising	Implemented Memory Pages and Durations advertising
145-154	10	Module Characteristics advertising	Module Characteristics advertising
155-156	2	Implemented Controls advertising	Implemented Controls advertising
157-158	2	Implemented Flags advertising	Implemented Flags advertising
159-160	2	Implemented Monitors advertising	Implemented Monitors advertising
161-162	2	Implemented Signal Integrity Controls advertising	Implemented Signal Integrity Controls advertising
163-166	4	CDB support advertising	CDB support advertising
167-168	2	Additional Durations advertising	Additional Durations advertising
169-175	7	Reserved	Reserved
176-190	15	Module Media Lane advertising	Coded 1 if the Application is allowed to begin on a given media lane. Bits 0-7 correspond to Host Lanes 1-8. In multi-lane Applications each instance of an Application shall use contiguous media lane numbers. If multiple instances of a single Application are allowed each starting point is identified. If multiple instances are advertised,

			all instance must be supported concurrently.
191-222	32	Custom	Custom
223-250	28	Extended Module Host-Media Interface Advertising options	Extended Module Host-Media Interface Advertising options
251-254	4	Reserved	Reserved
255	1	Checksum	Checksum
Page 02h (Optional)			
128-129	2	Temperature monitor high alarm	Thresholds for internally measured temperature monitor: signed 2's complement in 1/256 degree Celsius increments
130-131	2	Temperature monitor low alarm	
132-133	2	Temperature monitor high warning	
134-135	2	Temperature monitor low warning	
136-137	2	Supply 3.3-volt monitor high alarm	Thresholds for internally measured 3.3 volt input supply voltage: in 100 μ V increments
138-139	2	Supply 3.3-volt monitor low alarm	
140-141	2	Supply 3.3-volt monitor high warning	
142-143	2	Supply 3.3-volt monitor low warning	
144-145	2	Aux 1 monitor high alarm	Thresholds for TEC Current or Reserved monitor TEC Current: signed 2's complement in 100/32767% increments of maximum TEC current +32767 is max TEC current (100%) – Max Heating -32767 is min TEC current (100%) – Max Cooling
146-147	2	Aux 1 monitor low alarm	
148-149	2	Aux 1 monitor high warning	
150-151	2	Aux 1 monitor low warning	
152-153	2	Aux 2 monitor high alarm	Thresholds for TEC Current or Laser Temperature monitor TEC Current: signed 2's complement in 100/32767% increments of maximum TEC current +32767 is max TEC current (100%) – Max Heating -32767 is min TEC current (100%) – Max Cooling Laser Temperature: signed 2's complement in 1/256 degree Celsius increments
154-155	2	Aux 2 monitor low alarm	
156-157	2	Aux 2 monitor high warning	
158-159	2	Aux 2 monitor low warning	
160-161	2	Aux 3 monitor high alarm	Thresholds for Laser Temperature or additional supply voltage monitor Laser Temperature: signed 2's complement in 1/256 degree Celsius increments NOTE: Laser Temp can be below 0 if uncooled or in Tx Disable. Additional supply voltage monitor: in 100 μ V increments
162-163	2	Aux 3 monitor low alarm	
164-165	2	Aux 3 monitor high warning	
166-167	2	Aux 3 monitor low warning	
168-169	2	Custom monitor high alarm	Custom monitor: signed or unsigned 16 bit value
170-171	2	Custom monitor low alarm	
172-173	2	Custom monitor high warning	
174-175	2	Custom monitor low warning	

176-177	2	Tx optical power high alarm	Threshold for Tx optical power monitor: unsigned integer in 0.1 uW increments, yielding a total measurement range of 0 to 6.5535 mW (~-40 to +8.2 dBm) See section 8.8.3 for monitor details including accuracy
178-179	2	Tx optical power low alarm	
180-181	2	Tx optical power high warning	
182-183	2	Tx optical power low warning	
184-185	2	Tx bias current high alarm	Threshold for Tx bias monitor: unsigned integer in 2 uA increments, times the multiplier from Table 8-33. See section 8.8.3 for monitor details including accuracy
186-187	2	Tx bias current low alarm	
188-189	2	Tx bias current high warning	
190-191	2	Tx bias current low warning	
192-193	2	Rx optical power high alarm	Threshold for Rx optical power monitor: unsigned integer in 0.1 uW increments, yielding a total measurement range of 0 to 6.5535 mW (~-40 to +8.2 dBm) See section 8.8.3 for accuracy.
194-195	2	Rx bias current low alarm	
196-197	2	Rx bias current high warning	
198-199	2	Rx bias current low warning	
200-229	30	Reserved	Reserved
230-254	25	Custom	Custom
255	1	Checksum	Covers bytes 128-254

Mechanical Dimension

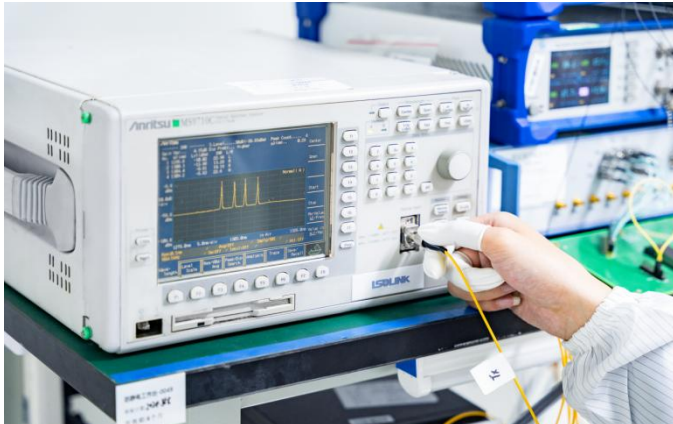


Channels Tx1 Tx2 Tx3 Tx4 x x x x Rx4 Rx3 Rx2 Rx1
 (x: unused position)

Test Center

1、Performance Testing

Every fiber optic transceiver is thoroughly tested by the LSOLINK Assurance Program, which is equipped with the world's most advanced analytical equipment to ensure that our transceivers meet the industry's international public protocol standards while still functioning flawlessly in your facility.



Optical Spectrum Inspection

Using the industry's leading optical spectrum analyser to check in real time that the parameters of the optical transceiver's laser comply with industry standards.

- **Peak:** Peak wavelength and peak level
- **2nd Peak:** Side-mode wavelength and level
- **Mean Wl:** Center wavelength
- **Total Power:** Total power of spectrum
- **SMSR:** Side-Mode Suppression Ratio



Optical Signal Quality Inspection

Using highly efficient sampling oscilloscopes and BERT testers, equipped with an automated test platform to accurately test the signal quality of the transceiver, test records are kept for up to 5 years to ensure the traceability of each transceiver.

- **Eye Mask Margin(NRZ)**
- **TDECQ(PAM4):** transmitter dispersion eye closure
- **OMA:** Optical modulation amplitude
- **BER:** Bit error rate
- **ER:** Extinction Ratio



Flow Pressure Test

Using multi-protocol network traffic analyser with various brands of switches to test the transceiver's ability to transmit at full speed.

- **Bandwidth:** Actual transceiver bandwidth on the port
- **Packet Loss**
- **Packet Errors:** CRC Errors/PCS Errors/Symbol Errors
- **LinkDown Counts**
- **latency**

Above is part of our test bed network equipment. For more information, Please click [download](#) for optical transceiver performance test report.

2、Quality Control

We adopt advanced quality management solutions. Each transceiver is self-inspected, including:20x microscope inspection, 200x microscope inspection, and QC process inspection.



visual inspection



Microscopic inspection: 20X



Microscopic inspection: 200X



Reliability Verification



Optical endface inspection



OQC Inspection


Order Information

Part Number	Description
400G-OSFP-VR4	400GBASE-VR4 OSFP PAM4 850nm 50m DOM MTP/MPO-12 APC MMF Transceiver Module, Flat Top
400G-OSFP-SR4	400GBASE-SR4 OSFP PAM4 850nm 100m DOM MTP/MPO-12 APC MMF Optical Transceiver Module
400G-OSFP-DR4	400GBASE-DR4 OSFP PAM4 1310nm 500m DOM MTP/MPO-12 APC SMF Optical Transceiver Module
800G-OSFP-2VR4	800GBASE-2xVR4 OSFP PAM4 850nm 50m DOM Dual MTP/MPO-12 APC MMF Optical Transceiver Module
800G-OSFP-2SR4	800GBASE-2xSR4 OSFP PAM4 850nm 100m DOM Dual MTP/MPO-12 APC MMF Optical Transceiver Module
800G-OSFP-2DR4	800GBASE-2xDR4 OSFP PAM4 1310nm 500m DOM Dual MTP/MPO-12 APC SMF Optical Transceiver Module
800G-OSFP-2FR4	800GBASE-2xFR4 OSFP PAM4 1310nm 2km DOM Dual Duplex LC SMF Optical Transceiver Module
800G-OSFP-2DR4+	800GBASE-2xDR4+ OSFP PAM4 1310nm 2km DOM Dual MTP/MPO-12 APC SMF Optical Transceiver Module

Further Information

 | Lighting the Path to Global Links

 **Web** | www.lsolink.com

 **Email** | For Sales@lsolink.com

Disclaimer

1. We are committed to continuous product improvement and feature upgrades, and the contents contained in this manual are subject to change without notice.
2. Nothing herein should be construed as constituting an additional warranty.
3. LSOLINK assumes no responsibility for the use or reliability of equipment or software not provided by LSOLINK. Copyright LSOLINK.COM All Rights